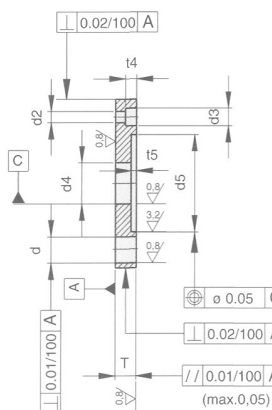
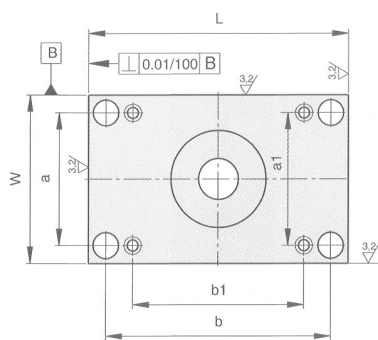
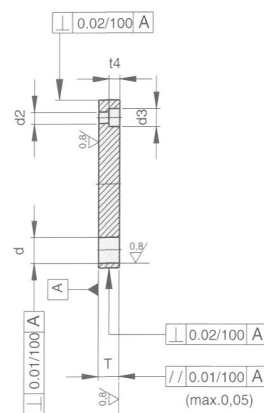
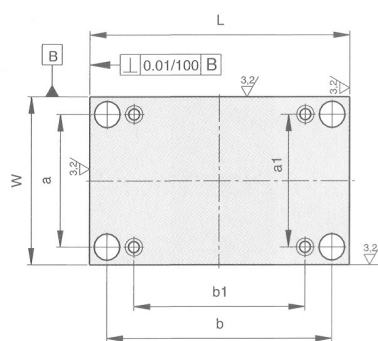


N02/N04



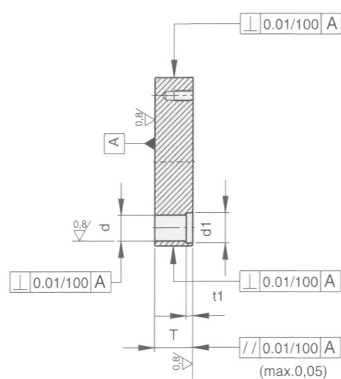
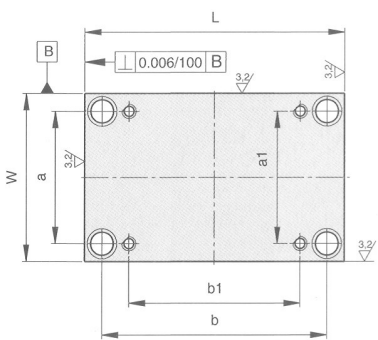
	SERIE(S)	Tol. - μm	
L	1010 - 3040	+50 0	
	W	3045 - 5050	+100 0
		5055 - 6090	+100 0
T	1010 - 6090	+50 0	
a,b	1010 - 3040	± 14	
	3045 - 5050	± 14	
	5055 - 6090	± 14	
a1, b1	1010 - 3040	± 200	
	3045 - 6090	± 300	
dH7	1010 - 1216	+18 0	
	1616 - 2225	+21 0	
d2H13	1010 - 3060	+220 0	
	3535 - 6090	+270 0	
d3H13	1010 - 3060	+270 0	
	3535 - 6090	+330 0	
d4H7	1212 - 1216	+18 0	
	1616 - 6090	+21 0	
d5H9	1212 - 1216	+74 0	
	1616 - 6090	+87 0	
t4	1010 - 3040	+200 0	
	3045 - 5050	+300 0	
	5055 - 6090	+400 0	
t5	1010 - 6090	+200 0	

N01/N03



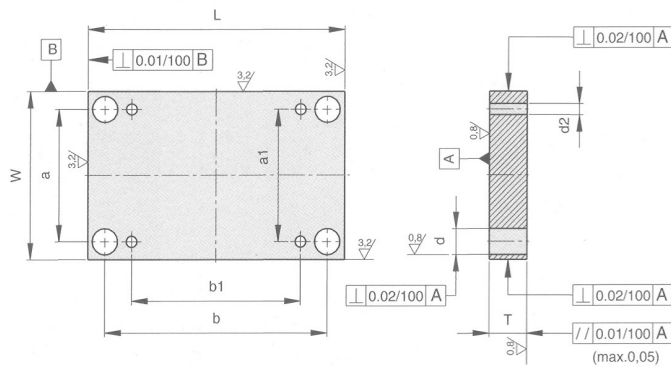
	SERIE(S)	Tol. - μm	
L	1010 - 3040	+50 0	
	W	3045 - 5050	+100 0
		5055 - 6090	+100 0
T	1010 - 6090	+50 0	
a,b	1010 - 3040	± 14	
	3045 - 5050	± 14	
	5055 - 6090	± 14	
a1, b1	1010 - 3040	± 200	
	3045 - 6090	± 300	
dH7	1010 - 1216	+18 0	
	1616 - 2225	+21 0	
d2H13	1010 - 3060	+220 0	
	3535 - 6090	+270 0	
d3H13	1010 - 3060	+270 0	
	3535 - 6090	+330 0	
t4	1010 - 3040	+200 0	
	3045 - 5050	+300 0	
	5055 - 6090	+400 0	

N10/N15



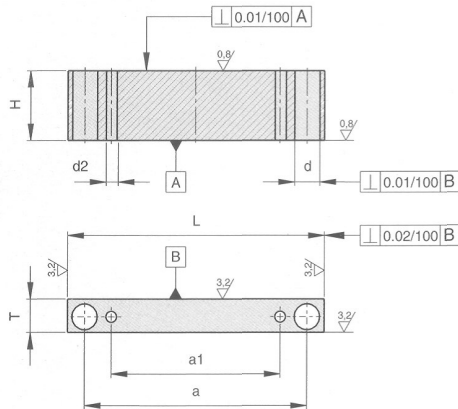
	SERIE(S)	Tol. - μm		
		N10	N15	
L	1010 - 3040	± 15	± 15	
	W	3045 - 5050	± 20	± 20
		5055 - 6090	± 25	± 25
T	1010 - 6090	+50 0	+400 +200	
a,b	1010 - 3040	± 10	± 10	
	3045 - 5050	± 12	± 12	
	5055 - 6090	± 14	± 14	
a1, b1	1010 - 3040	± 200	± 200	
	3045 - 6090	± 300	± 300	
dH7	1010 - 1216	+18 0	+18 0	
	1616 - 2225	+21 0	+21 0	
	2525 - 6090	+25 0	+25 0	
d1	1010 - 6090	+400 0	+400 0	
t1	1010 - 6090	+300 0	+300 0	

N20



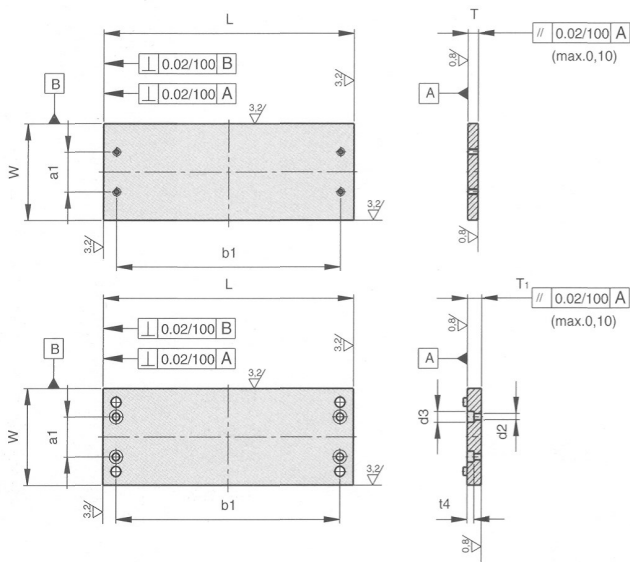
	SERIE(S)	Tol. in μm
L	1010 - 3040	+50 0
	3045 - 5050	+100 0
	5055 - 6090	+100 0
T	1010 - 6090	+50 0
a,b	1010 - 3040	± 14
	3045 - 5050	± 14
	5055 - 6090	± 14
a1,b1	1010 - 3040	± 200
	3045 - 6090	± 300
dH7	1010 - 1216	+18 0
	1616 - 2225	+21 0
	2525 - 6090	+25 0
d2H13	1010 - 3060	+220 0
	3535 - 6090	+270 0

N30



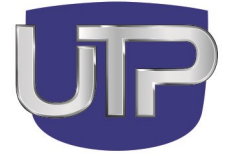
	SERIE(S)	Tol. in μm
L	1010 - 6090	-400 -800
T	1010 - 6090	-200 -800
H	1010 - 6090	+50 0
a	1010 - 3040	± 14
	3045 - 5050	± 14
	5055 - 6090	± 14
a1	1010 - 3040	± 200
	3045 - 6090	± 300
dH7	1010 - 1216	+18 0
	1616 - 2225	+21 0
	2525 - 6090	+25 0
d2H13	1010 - 3060	+220 0
	3535 - 6090	+270 0

N40/N50

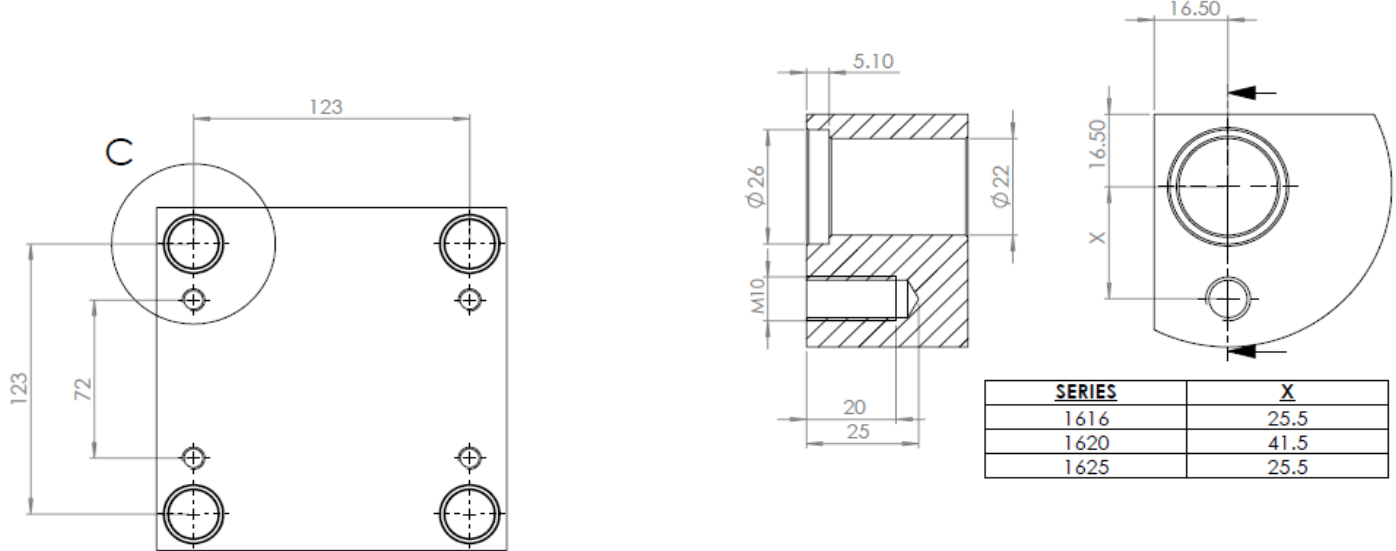


	SERIE(S)	Tol. in μm
L	1010 - 6090	0 -100
W	1010 - 6090	0 -100
T	1010 - 6090	+400 0
a1, b1	1010 - 3040	± 200
	3045 - 6090	± 300
t4	1010 - 1625	+200 0
	2020 - 3060	+300 0
	3535 - 5580	+400 0
	6060 - 6090	+400 0
d2H13	1010 - 3060	+220 0
	3535 - 6090	+270 0
d3H13	1010 - 3060	+270 0
	3535 - 6090	+330 0
T1	1010-6090	+50 0

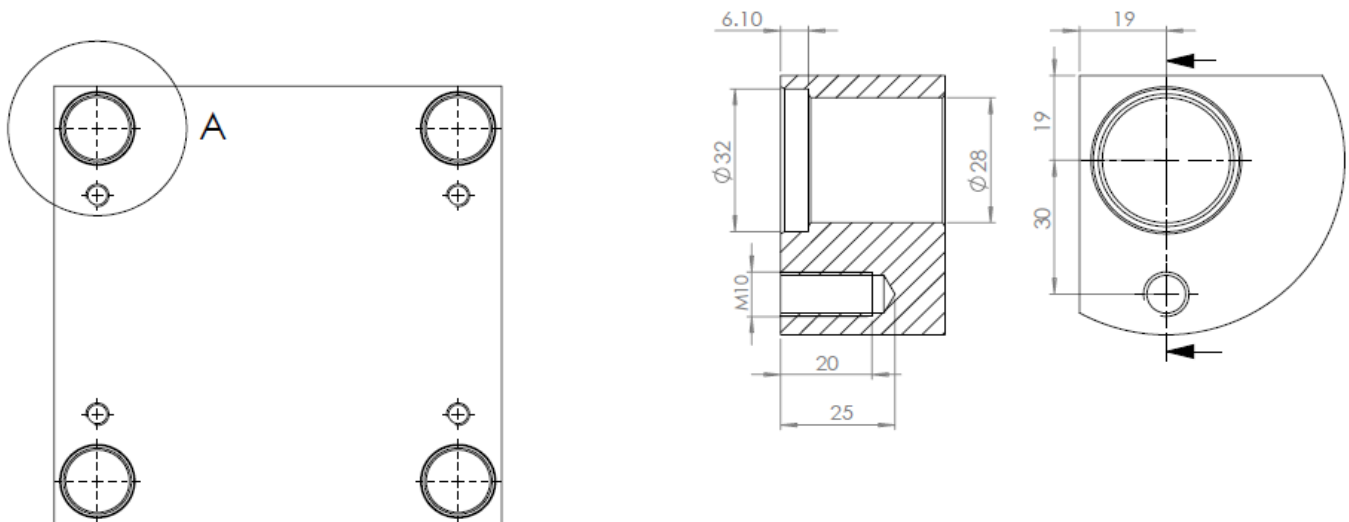
UTP Standard Bore Pattern for Moulds



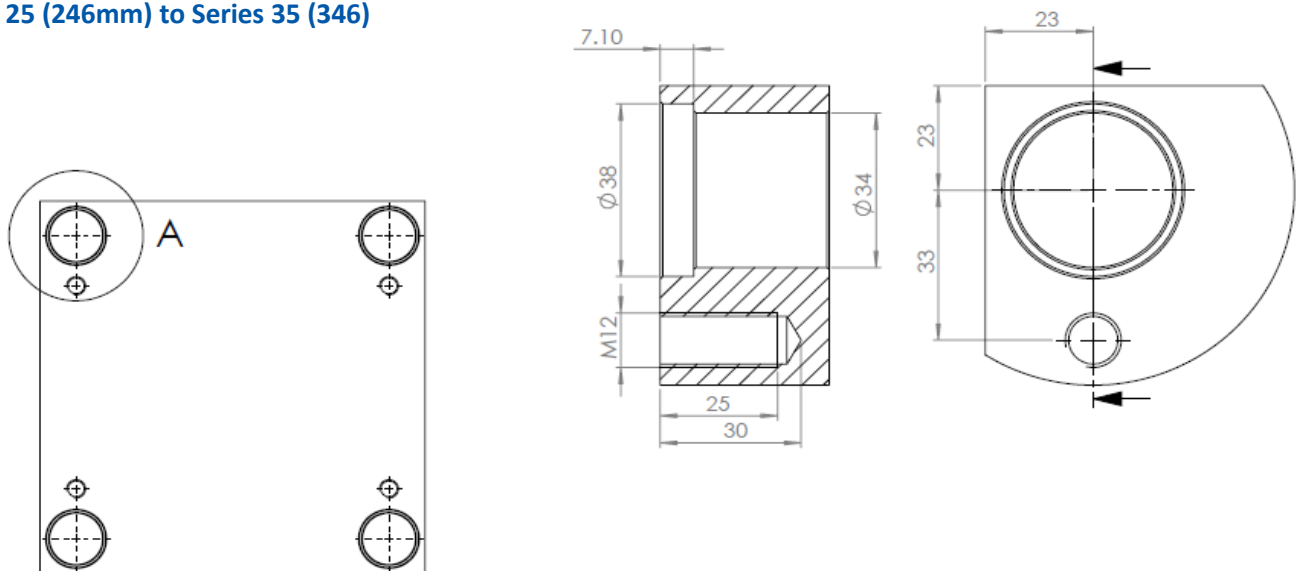
SERIES 16 (156mm)



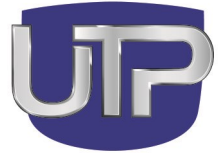
SERIES 20 (196mm)



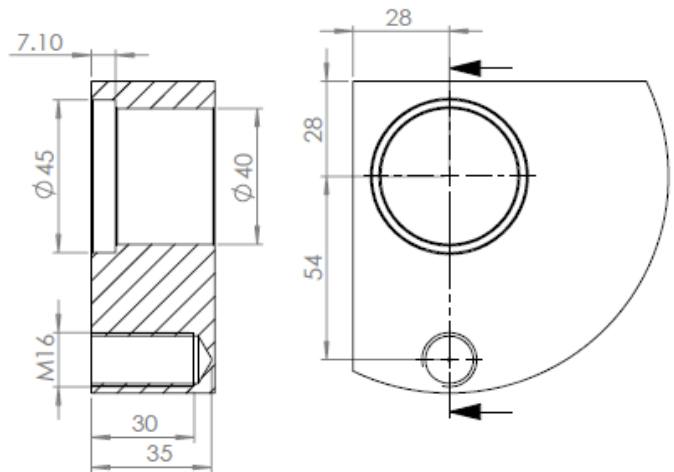
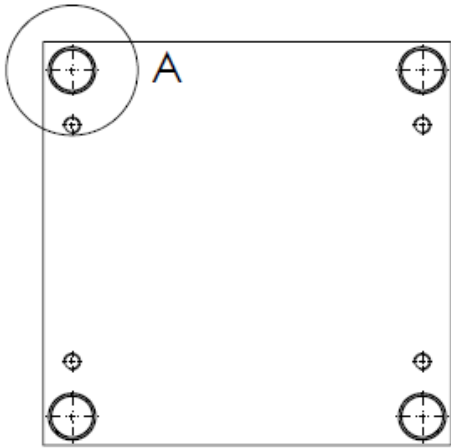
SERIES 25 (246mm) to Series 35 (346)



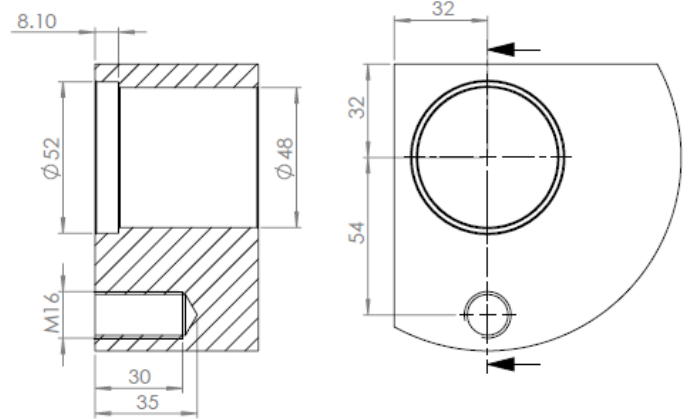
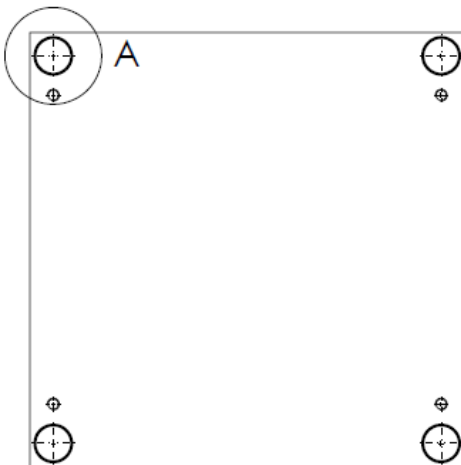
UTP Standard Bore Pattern for Moulds



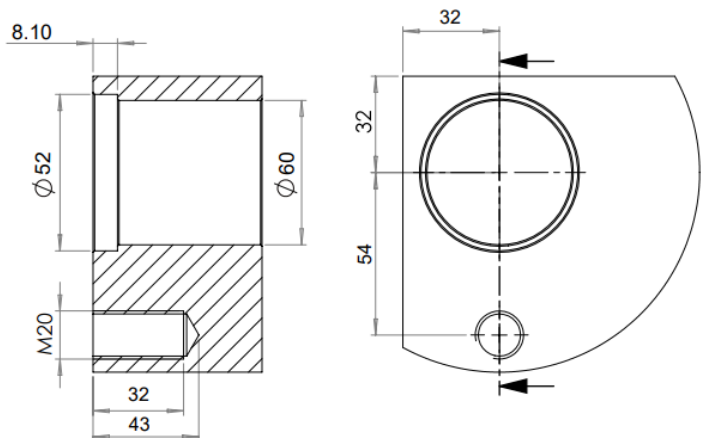
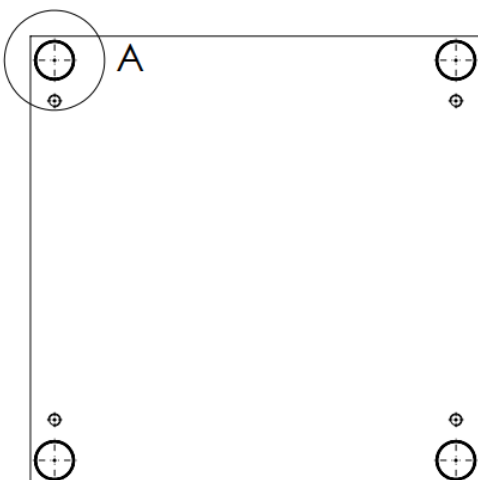
SERIES 40 (396mm) to Series 55 (546mm)



SERIES 60 (596mm)



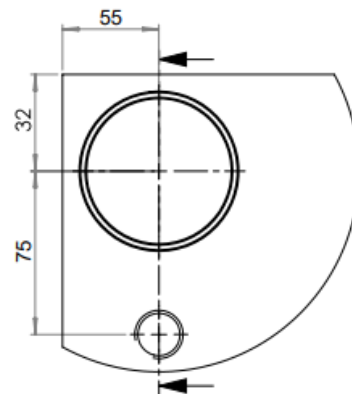
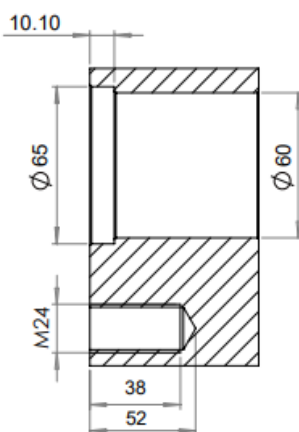
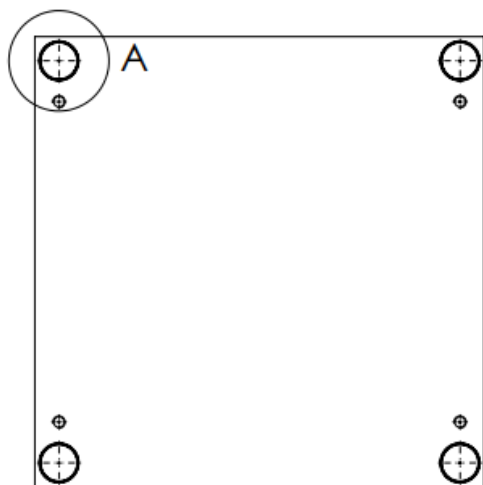
SERIES 65 (646mm) to Series 80 (796mm)



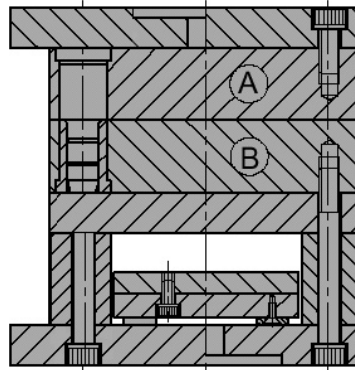
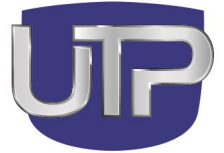
UTP Standard Bore Pattern for Moulds



SERIES 90 (896mm) to Series 100 (996mm)



Mould Base - Standard Located



Product Information:

Complete Mould Base, Length and Width Square Milled, Thickness Finished Ground.

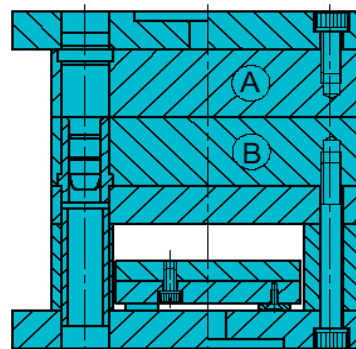
Undrilled Plates: Excluding all Pillar, Bush and Screw Holes.

Standard Located: Including all Pillar, Bush, Screw Holes, Locating Ring Pocket and Ejector Bar Pocket.

Cavity Plates Toolox33 and all other Plates Mild Steel. Mould Base includes Guide Pillars, Bushes, Screws and Stop Pins.

Optional Materials: Available on Request.

Mould Base - Fully Located



Fully Located: Including all Pillar, Bush, Tubular Dowel and Screw Holes, Locating Ring Pocket and Ejector Bar Pocket.

Cavity Plates Toolox33 and all other Plates Mild Steel.

Mould Base includes Guide Pillars, Bushes, Tubular Dowel, Screws and Stop Pins.

Ordering Example : 2525-46-36 C=86 Undrilled Plates.

Mould Base - Overview



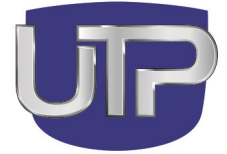
Series	Actual Size	Working Area	Cavity Plate Thickness	Riser Height	Pillar& Bush Ø	Push Back Pins Ø	Sprue Bush
1616	156 x 156	92 x 123	26 - 96	46,56,66,86,106	Ø 16/22	Ø 10	EUG1
1620	156 x 196	92 x 163	26 - 96	46,56,66,86,106	Ø 16/22	Ø 10	EUG1
1625	156 x 246	92 x 213	26 - 96	46,56,66,86,106	Ø 16/22	Ø 10	EUG1
1630	156 x 296	92 x 263	26 - 96	46,56,66,86,106	Ø 16/22	Ø 10	EUG1
1635	156 x 346	92 x 313	26 - 96	46,56,66,86,106	Ø 16/22	Ø 10	EUG1
2020	196 x 196	122 x 158	26 - 126	66,86,106,126,146	Ø 20/28	Ø 12	SBN
2025	196 x 246	122 x 208	26 - 126	66,86,106,126,146	Ø 20/28	Ø 12	SBN
2030	196 x 296	122 x 258	26 - 126	66,86,106,126,146	Ø 20/28	Ø 12	SBN
2035	196 x 346	122 x 308	26 - 126	66,86,106,126,146	Ø 20/28	Ø 12	SBN
2040	196 x 396	122 x 358	26 - 126	66,86,106,126,146	Ø 20/28	Ø 12	SBN
2045	196 x 446	122 x 408	26 - 126	66,86,106,126,146	Ø 20/28	Ø 12	SBN
2050	196 x 496	122 x 458	26 - 126	66,86,106,126,146	Ø 20/28	Ø 12	SBN
2525	246 x 246	152 x 200	26 - 146	66,86,106,126,146	Ø 25/34	Ø 14	SBN
2530	246 x 296	152 x 250	26 - 246	66,86,106,126,146	Ø 25/34	Ø 14	SBN
2535	246 x 346	152 x 300	26 - 246	66,86,106,126,146	Ø 25/34	Ø 14	SBN
2540	246 x 396	152 x 350	26 - 246	66,86,106,126,146	Ø 25/34	Ø 14	SBN
2545	246 x 446	152 x 400	26 - 246	66,86,106,126,146	Ø 25/34	Ø 14	SBN
2550	246 x 496	152 x 450	26 - 246	66,86,106,126,146	Ø 25/34	Ø 14	SBN
2555	246 x 546	152 x 500	26 - 246	66,86,106,126,146	Ø 25/34	Ø 14	SBN
2560	246 x 596	152 x 550	26 - 246	66,86,106,126,146	Ø 25/34	Ø 14	SBN
3030	296 x 296	202 x 250	26 - 246	66,86,106,126,146	Ø 25/34	Ø 14	SBN
3035	296 x 346	202 x 300	26 - 246	66,86,106,126,146	Ø 25/34	Ø 14	SBN
3040	296 x 396	202 x 350	26 - 246	66,86,106,126,146	Ø 25/34	Ø 14	SBN
3045	296 x 446	202 x 400	26 - 246	66,86,106,126,146	Ø 25/34	Ø 14	SBN
3050	296 x 496	202 x 450	26 - 246	66,86,106,126,146	Ø 25/34	Ø 14	SBN
3055	296 x 546	202 x 500	26 - 246	66,86,106,126,146	Ø 25/34	Ø 14	SBN
3060	296 x 596	202 x 550	26 - 246	66,86,106,126,146	Ø 25/34	Ø 14	SBN
3065	296 x 646	202 x 600	26 - 246	66,86,106,126,146	Ø 25/34	Ø 14	SBN
3070	296 x 696	202 x 650	26 - 246	66,86,106,126,146	Ø 25/34	Ø 14	SBN
3535	346 x 346	252 x 300	26 - 246	66,86,106,126,146	Ø 25/34	Ø 14	SBN
3540	346 x 396	252 x 350	26 - 246	66,86,106,126,146	Ø 25/34	Ø 14	SBN
3545	346 x 446	252 x 400	26 - 246	66,86,106,126,146	Ø 25/34	Ø 14	SBN
3550	346 x 496	252 x 450	26 - 246	66,86,106,126,146	Ø 25/34	Ø 14	SBN
3555	346 x 546	252 x 500	26 - 246	66,86,106,126,146	Ø 25/34	Ø 14	SBN
3560	346 x 596	252 x 550	26 - 246	66,86,106,126,146	Ø 25/34	Ø 14	SBN
3565	346 x 646	252 x 600	26 - 246	66,86,106,126,146	Ø 25/34	Ø 14	SBN
3570	346 x 696	252 x 650	26 - 246	66,86,106,126,146	Ø 25/34	Ø 14	SBN
3580	346 x 796	252 x 750	26 - 246	66,86,106,126,146	Ø 25/34	Ø 14	SBN
4040	396 x 396	280 x 340	26 - 246	106,126,146	Ø 32/40	Ø 18	SBN
4045	396 x 446	280 x 390	26 - 246	106,126,146	Ø 32/40	Ø 18	SBN
4050	396 x 496	280 x 440	26 - 246	106,126,146	Ø 32/40	Ø 18	SBN
4055	396 x 546	280 x 490	26 - 246	106,126,146	Ø 32/40	Ø 18	SBN
4060	396 x 596	280 x 540	26 - 246	106,126,146	Ø 32/40	Ø 18	SBN
4065	396 x 646	280 x 590	26 - 246	106,126,146	Ø 32/40	Ø 18	SBN
4070	396 x 696	280 x 640	26 - 246	106,126,146	Ø 32/40	Ø 18	SBN
4075	396 x 746	280 x 690	26 - 246	106,126,146	Ø 32/40	Ø 18	SBN
4080	396 x 796	280 x 740	26 - 246	106,126,146	Ø 32/40	Ø 18	SBN

Mould Base - Overview



Series	Actual Size	Working Area	Cavity Plate Thickness	Riser Height	Pillar& Bush Ø	Push Back Pins Ø	Sprue Bush
4545	446 x 446	330 x 390	26 - 246	106,126,146,166,186	Ø 32/40	Ø 18	SBN
4550	446 x 496	330 x 440	26 - 246	106,126,146,166,186	Ø 32/40	Ø 18	SBN
4555	446 x 546	330 x 490	26 - 246	106,126,146,166,186	Ø 32/40	Ø 18	SBN
4560	446 x 596	330 x 540	26 - 246	106,126,146,166,186	Ø 32/40	Ø 18	SBN
4565	446 x 646	330 x 590	26 - 246	106,126,146,166,186	Ø 32/40	Ø 18	SBN
4570	446 x 696	330 x 640	26 - 246	106,126,146,166,186	Ø 32/40	Ø 18	SBN
4575	446 x 746	330 x 690	26 - 246	106,126,146,166,186	Ø 32/40	Ø 18	SBN
4580	446 x 796	330 x 740	26 - 246	106,126,146,166,186	Ø 32/40	Ø 18	SBN
4590	446 x 896	330 x 840	26 - 246	106,126,146,166,186	Ø 32/40	Ø 18	SBN
5050	496 x 496	380 x 440	26 - 246	106,126,146,166,186	Ø 32/40	Ø 18	SBN
5055	496 x 546	380 x 490	26 - 246	106,126,146,166,186	Ø 32/40	Ø 18	SBN
5060	496 x 596	380 x 540	26 - 246	106,126,146,166,186	Ø 32/40	Ø 18	SBN
5065	496 x 646	380 x 590	26 - 246	106,126,146,166,186	Ø 32/40	Ø 18	SBN
5070	496 x 696	380 x 640	26 - 246	106,126,146,166,186	Ø 32/40	Ø 18	SBN
5080	496 x 796	380 x 740	26 - 246	106,126,146,166,186	Ø 32/40	Ø 18	SBN
5090	496 x 896	380 x 840	26 - 246	106,126,146,166,186	Ø 32/40	Ø 18	SBN
50100	496 x 996	380 x 940	26 - 246	106,126,146,166,186	Ø 32/40	Ø 18	SBN
5555	546 x 546	430 x 490	26 - 246	106,126,146,166,186	Ø 32/40	Ø 18	SBN
5560	546 x 596	430 x 540	26 - 246	106,126,146,166,186	Ø 32/40	Ø 18	SBN
5565	546 x 646	430 x 540	26 - 246	106,126,146,166,186	Ø 32/40	Ø 18	SBN
5570	546 x 696	430 x 640	26 - 246	106,126,146,166,186	Ø 32/40	Ø 18	SBN
5580	546 x 796	430 x 740	26 - 246	106,126,146,166,186	Ø 32/40	Ø 18	SBN
5590	546 x 896	430 x 840	26 - 246	106,126,146,166,186	Ø 32/40	Ø 18	SBN
55100	546 x 996	430 x 940	26 - 246	106,126,146,166,186	Ø 32/40	Ø 18	SBN
6060	596 x 596	464 x 532	26 - 246	106,126,146,166,186	Ø 40/48	Ø 18	SBN
6065	596 x 646	464 x 582	26 - 246	106,126,146,166,186	Ø 40/48	Ø 18	SBN
6070	596 x 696	464 x 632	26 - 246	106,126,146,166,186	Ø 40/48	Ø 18	SBN
6080	596 x 796	464 x 732	26 - 246	106,126,146,166,186	Ø 40/48	Ø 18	SBN
6090	596 x 896	464 x 832	26 - 246	106,126,146,166,186	Ø 40/48	Ø 18	SBN
60100	596 x 996	464 x 932	26 - 246	106,126,146,166,186	Ø 40/48	Ø 18	SBN
6565	646 x 646	514 x 582	26 - 246	106,126,146,166,186	Ø 40/48	Ø 18	SBN
6570	646 x 696	514 x 632	26 - 246	106,126,146,166,186	Ø 40/48	Ø 18	SBN
6580	646 x 796	514 x 732	26 - 246	106,126,146,166,186	Ø 40/48	Ø 18	SBN
6590	646 x 896	514 x 832	26 - 246	106,126,146,166,186	Ø 40/48	Ø 18	SBN
65100	646 x 996	514 x 932	26 - 246	106,126,146,166,186	Ø 40/48	Ø 18	SBN
7070	696 x 696	564 x 632	26 - 246	106,126,146,166,186	Ø 50/60	Ø 20	SBN
7080	696 x 796	564 x 732	26 - 246	106,126,146,166,186	Ø 50/60	Ø 20	SBN
7090	696 x 896	564 x 832	26 - 246	106,126,146,166,186	Ø 50/60	Ø 20	SBN
70100	696 x 996	564 x 932	26 - 246	106,126,146,166,186	Ø 50/60	Ø 20	SBN
70110	696 x 1096	564 x 1032	26 - 246	106,126,146,166,186	Ø 50/60	Ø 20	SBN
70120	696 x 1196	564 x 1132	26 - 246	106,126,146,166,186	Ø 50/60	Ø 20	SBN
7575	746 x 746	614 x 682	26 - 246	106,126,146,166,186	Ø 50/60	Ø 20	SBN
7580	746 x 796	614 x 732	26 - 246	106,126,146,166,186	Ø 50/60	Ø 20	SBN
7590	746 x 896	614 x 832	26 - 246	106,126,146,166,186	Ø 50/60	Ø 20	SBN
75100	746 x 996	614 x 832	26 - 246	106,126,146,166,186	Ø 50/60	Ø 20	SBN
75110	746 x 1096	614 x 1032	26 - 246	106,126,146,166,186	Ø 50/60	Ø 20	SBN
75120	746 x 1196	614 x 1132	26 - 246	106,126,146,166,186	Ø 50/60	Ø 20	SBN

Mould Base - Overview



Series	Actual Size	Working Area	Cavity Plate Thickness	Riser Height	Pillar& Bush Ø	Push Back Pins Ø	Sprue Bush
8080	796 x 796	664 x 732	26 - 246	106,126,146,166,186	Ø 50/60	Ø 20	SBN
8090	796 x 896	664 x 832	26 - 246	106,126,146,166,186	Ø 50/60	Ø 20	SBN
80100	796 x 996	664 x 932	26 - 246	106,126,146,166,186	Ø 50/60	Ø 20	SBN
80110	796 x 1096	664 x 1032	26 - 246	106,126,146,166,186	Ø 50/60	Ø 20	SBN
80120	796 x 1196	664 x 1132	26 - 246	106,126,146,166,186	Ø 50/60	Ø 20	SBN
9090	896 x 896	680 x 832	46 - 246	106,126,146,166,186	Ø 50/60	Ø 20	SBN
90100	896 x 996	680 x 932	46 - 246	106,126,146,166,186	Ø 50/60	Ø 20	SBN
90110	896 x 1096	680 x 1032	46 - 246	106,126,146,166,186	Ø 50/60	Ø 20	SBN
90120	896 x 1196	680 x 1132	46 - 246	106,126,146,166,186	Ø 50/60	Ø 20	SBN
100100	996 x 996	780 x 932	46 - 246	106,126,146,166,186	Ø 50/60	Ø 20	SBN
100110	996 x 1096	780 x 1032	46 - 246	106,126,146,166,186	Ø 50/60	Ø 20	SBN
100120	996 x 1196	780 x 1132	46 - 246	106,126,146,166,186	Ø 50/60	Ø 20	SBN