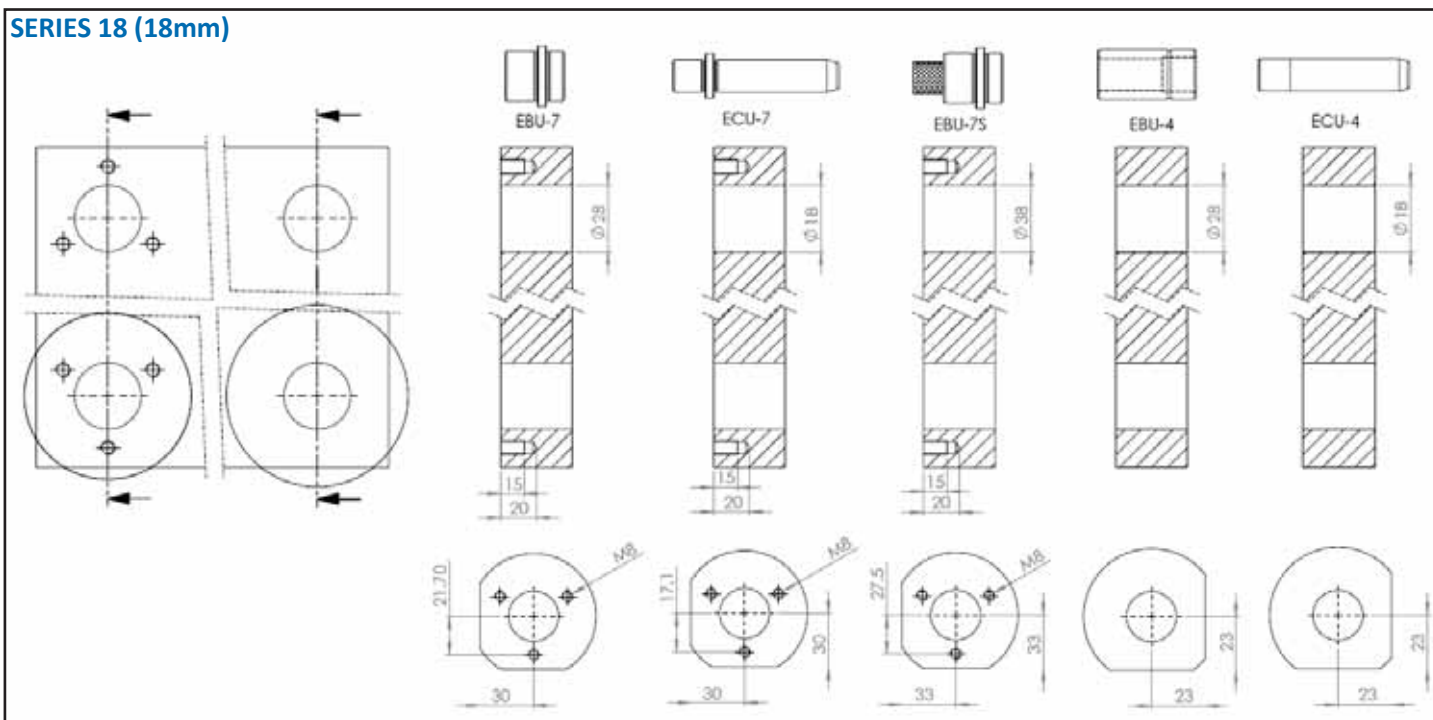


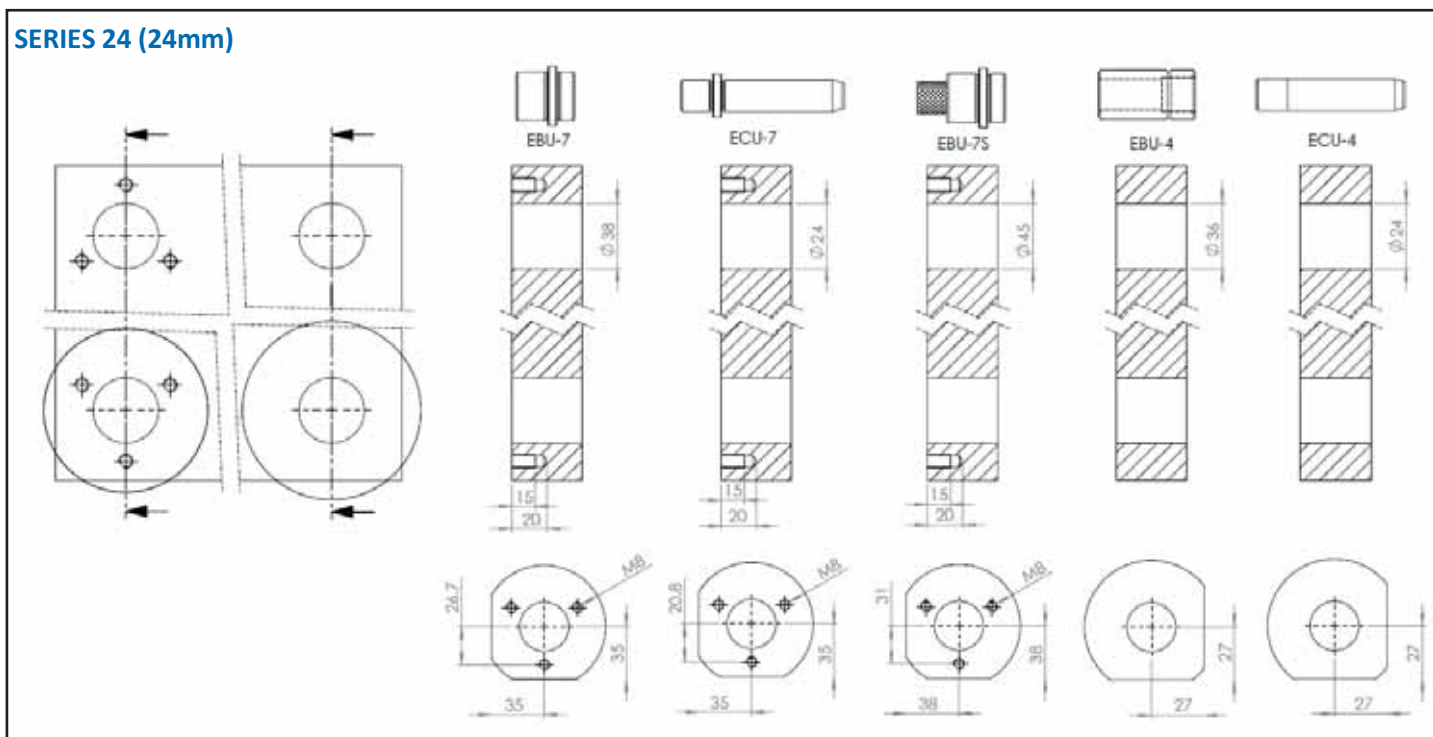
UTP Standard Bore Pattern for Press Tools



SERIES 18 (18mm)



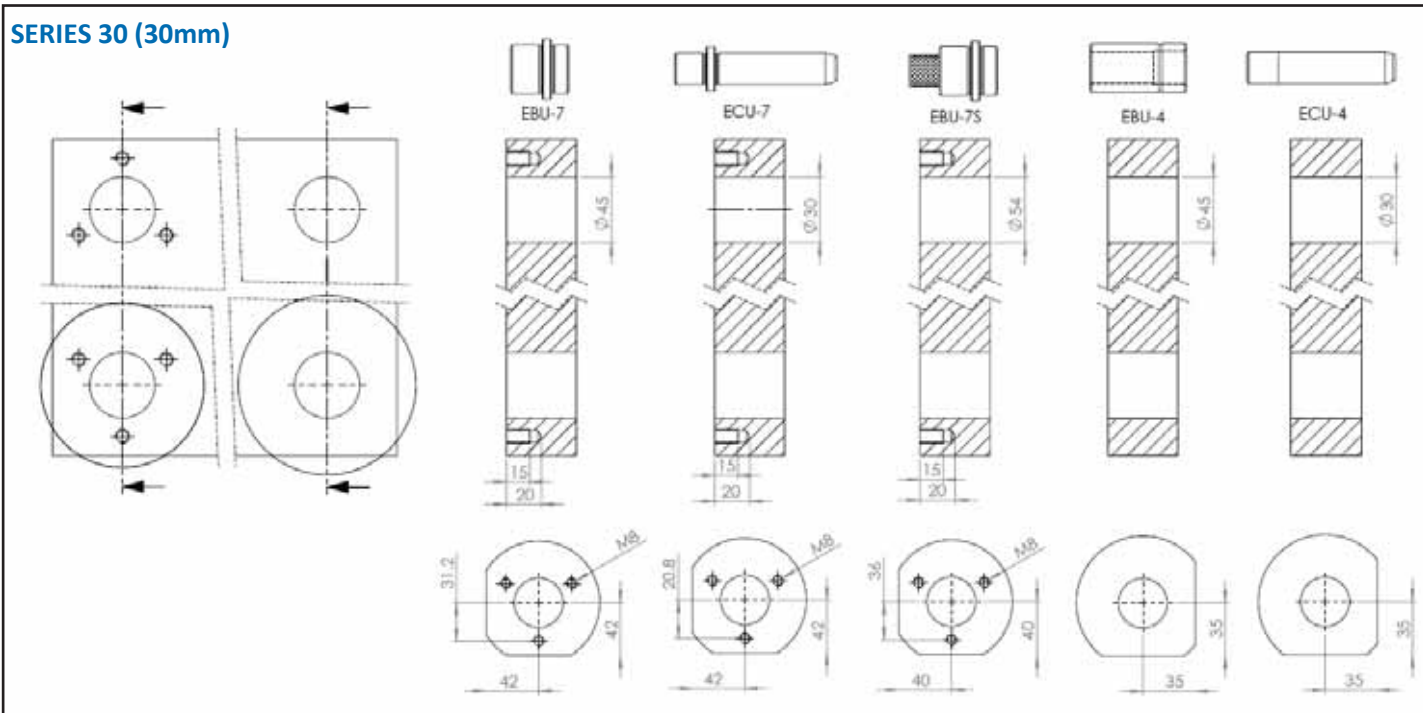
SERIES 24 (24mm)



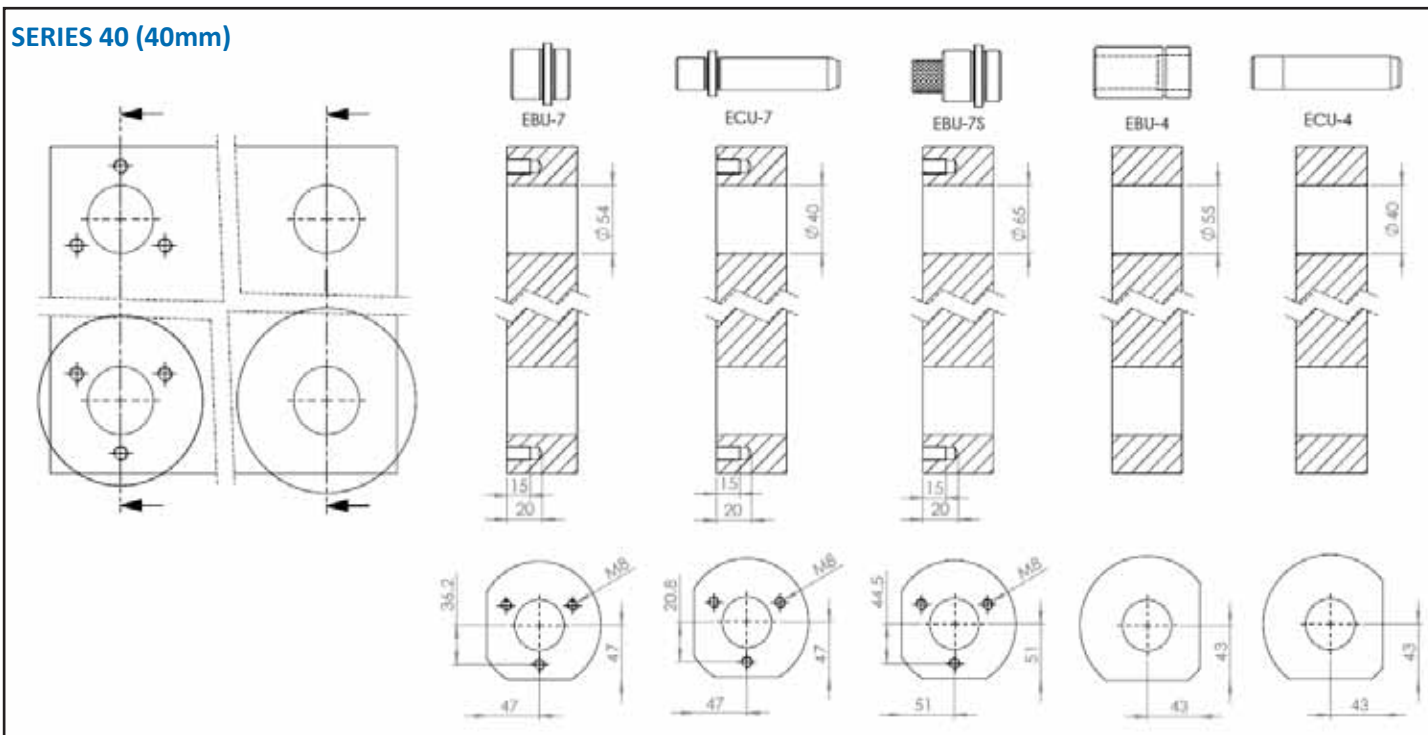
UTP Standard Bore Pattern for Press Tools



SERIES 30 (30mm)



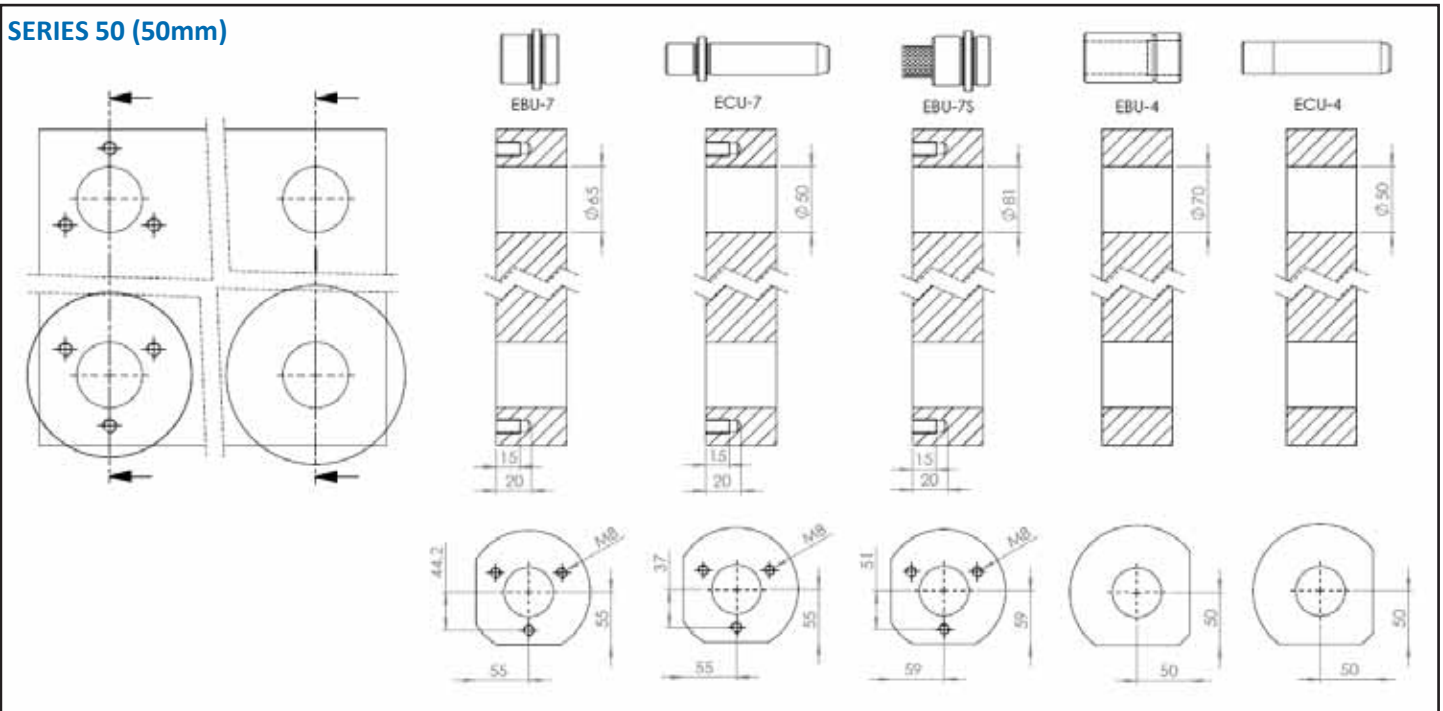
SERIES 40 (40mm)



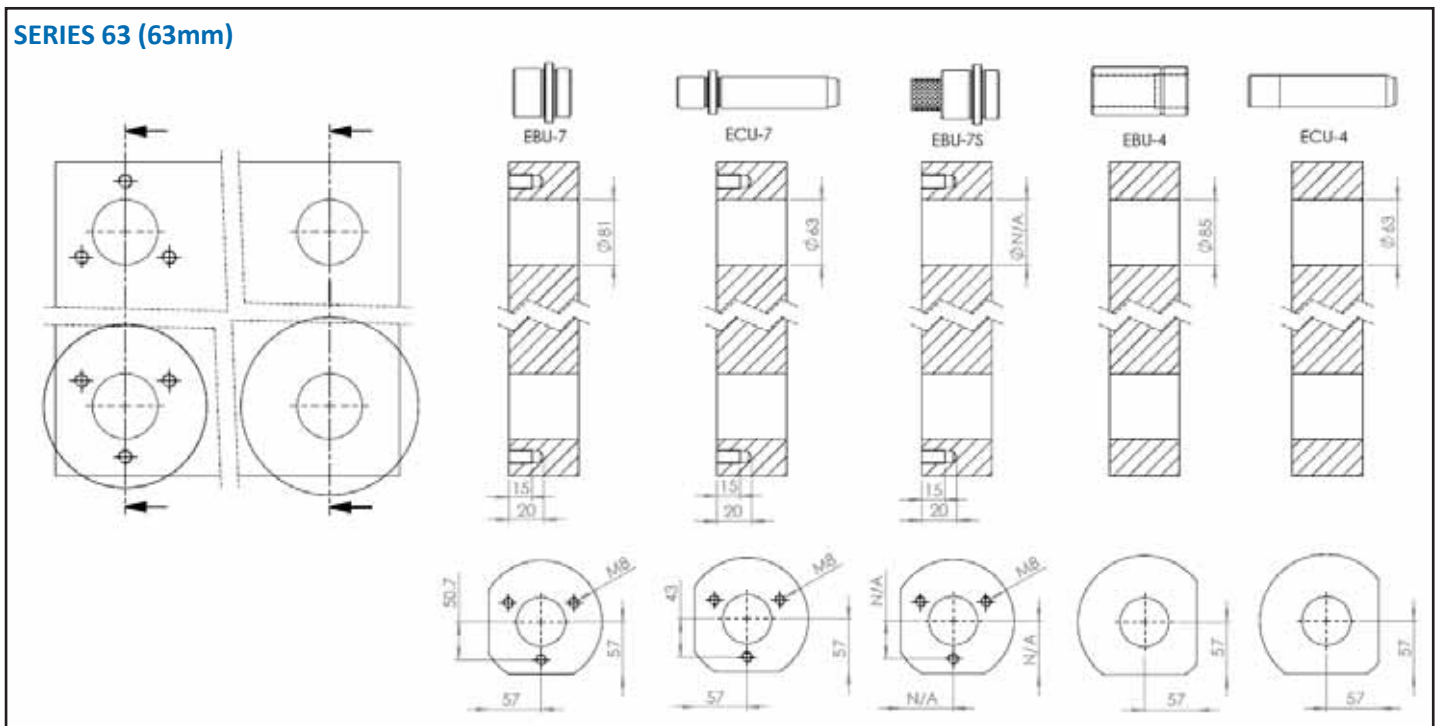
UTP Standard Bore Pattern for Press Tools



SERIES 50 (50mm)

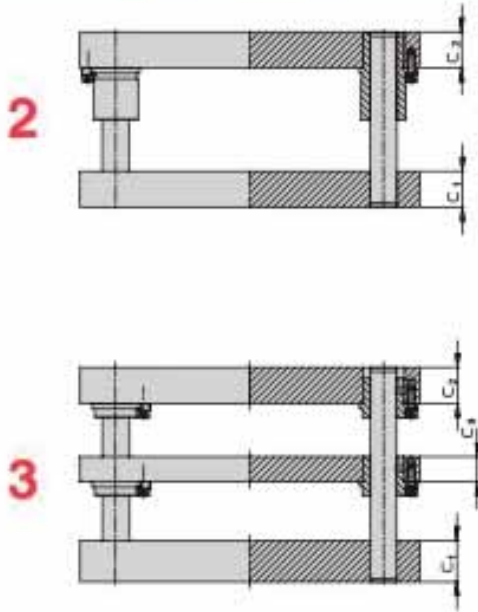


SERIES 63 (63mm)



Press Tool

Number of Plates:
2 or 3



Press Tool Die Set Size: Standard Sizes

From

150 x 150 x 33 mm to

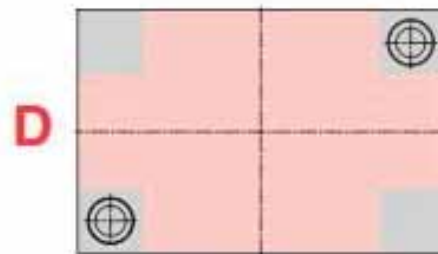
800 x 1000 x 58 mm

Special Sizes

Up to

3000 x 1600 mm

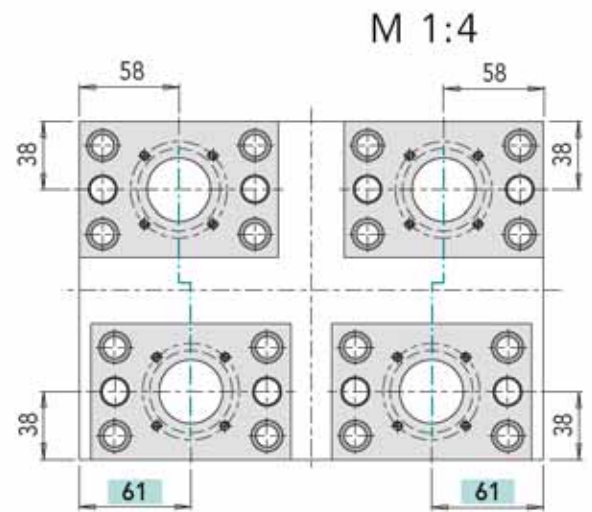
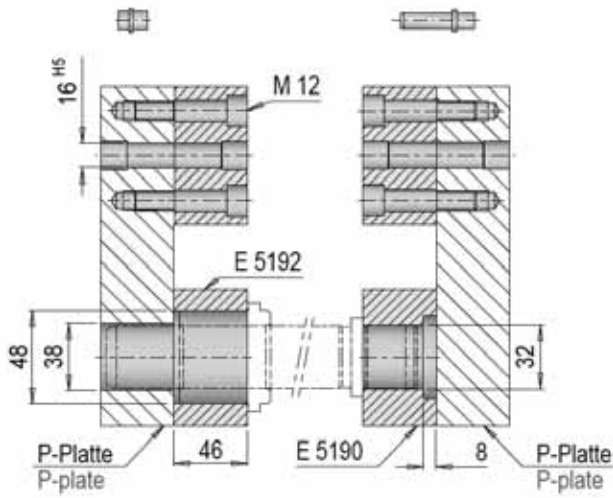
Drilling Pattern



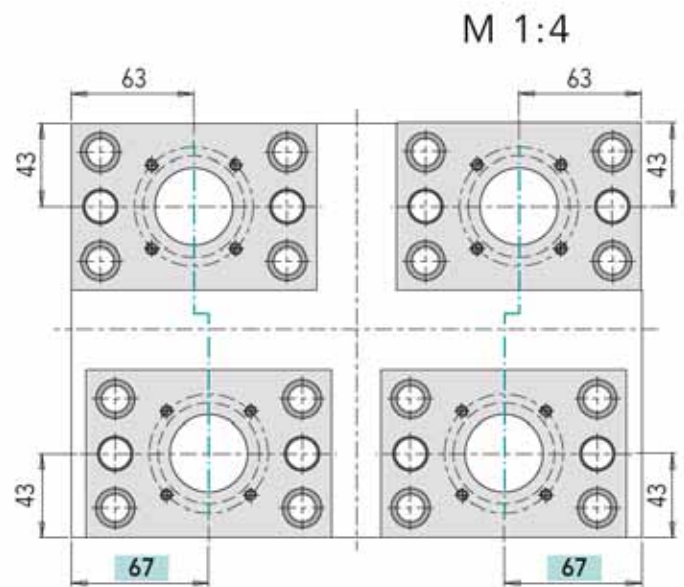
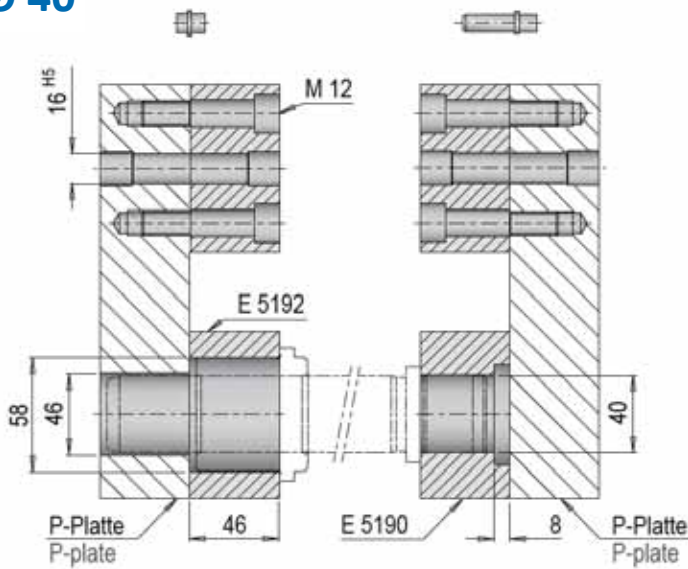
UTP Standard Bore Pattern for Pillar/Bush Blocks



Ø 32



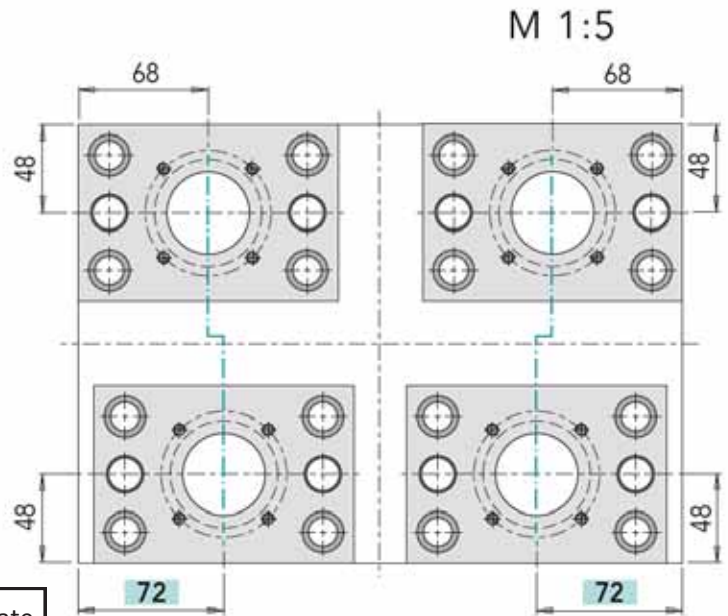
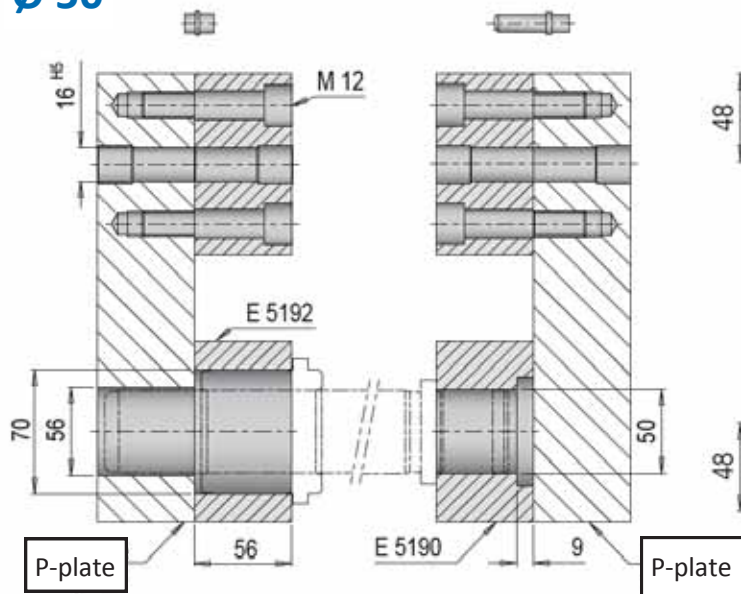
Ø 40



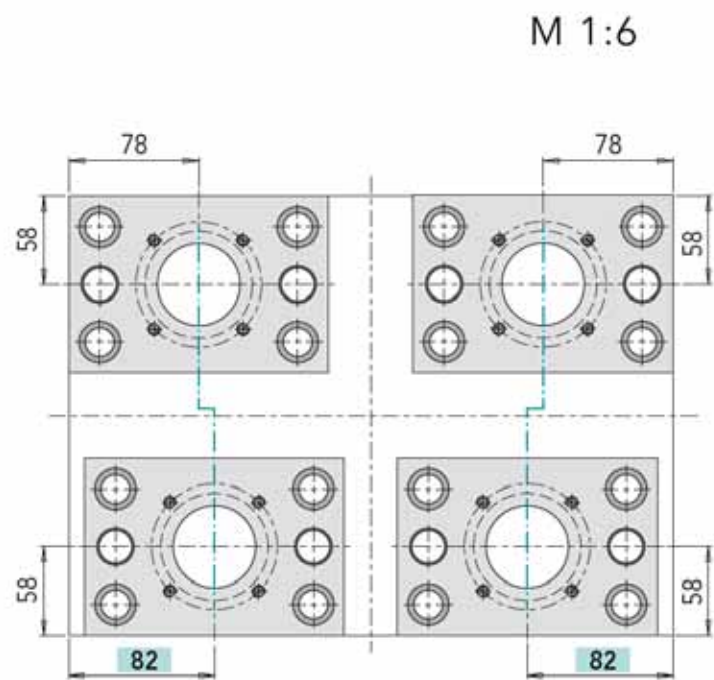
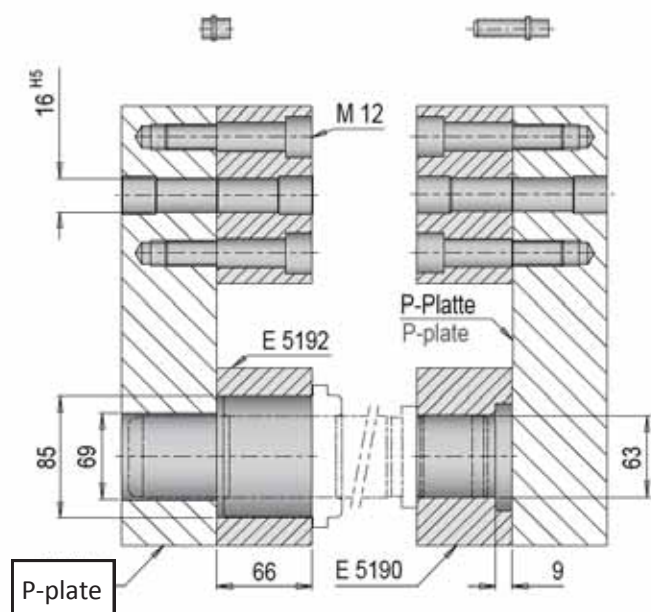
UTP Standard Bore Pattern for Pillar/Bush Blocks

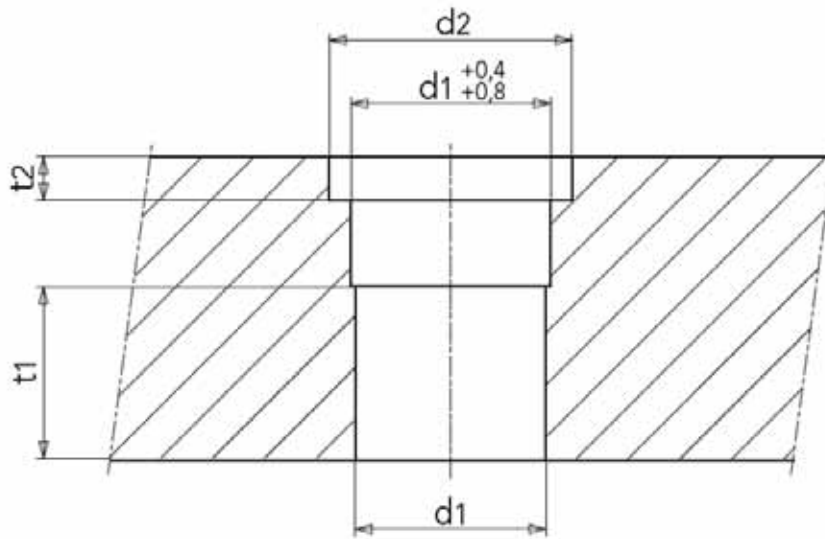


Ø 50



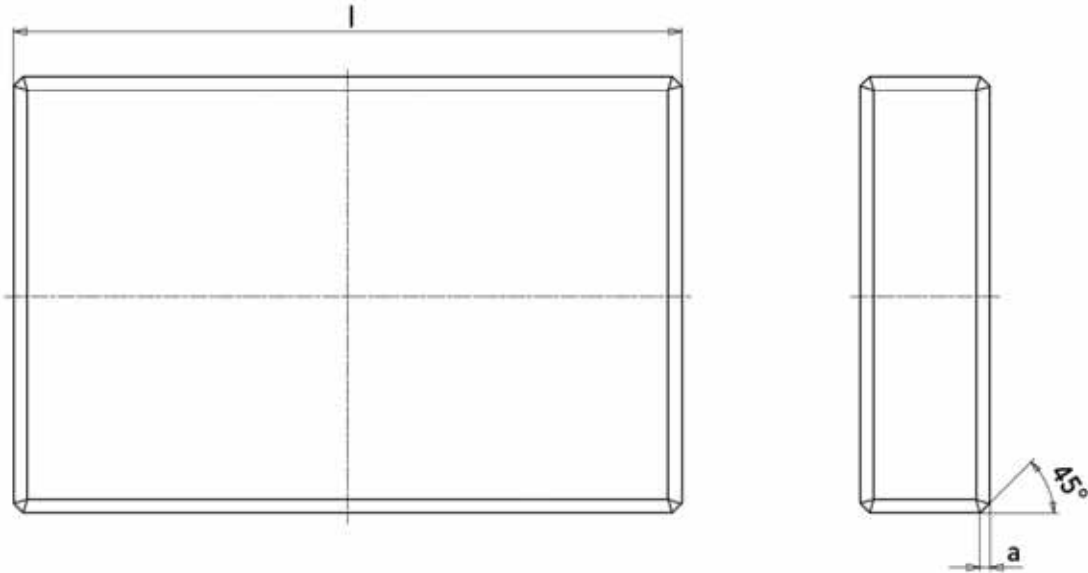
Ø 63





d_1	t_1	d_2	t_2
$\varnothing 22$	106mm	$\varnothing 26$	5.1
$\varnothing 28$	136mm	$\varnothing 32$	6.1
$\varnothing 34$	166mm	$\varnothing 38$	7.1
$\varnothing 40$	196mm	$\varnothing 44$	7.1
$\varnothing 48$	196mm	$\varnothing 52$	8.1
$\varnothing 60$	246mm	$\varnothing 65$	10.1
$\varnothing 100$	246mm		
$\varnothing 150$	296mm		
$\varnothing 200$	296mm		
$\varnothing 250$	296mm		

Standard and Drilled Plates



Chamfer Size / Standard

L	a Min	a Max
<156	0.8mm	1.0mm
< 396	1.0mm	1.2mm
<596	1.4mm	1.6mm
>596	1.8mm	2.0mm

Available Chamfer Size

L	a Min
45°	1, 1.5, 2, 3, 4, 5, 6, 8 mm
30°	1.5mm
Radius	1, 1.5, 2, 3, 4 mm

