

Maximum Drilling Depth

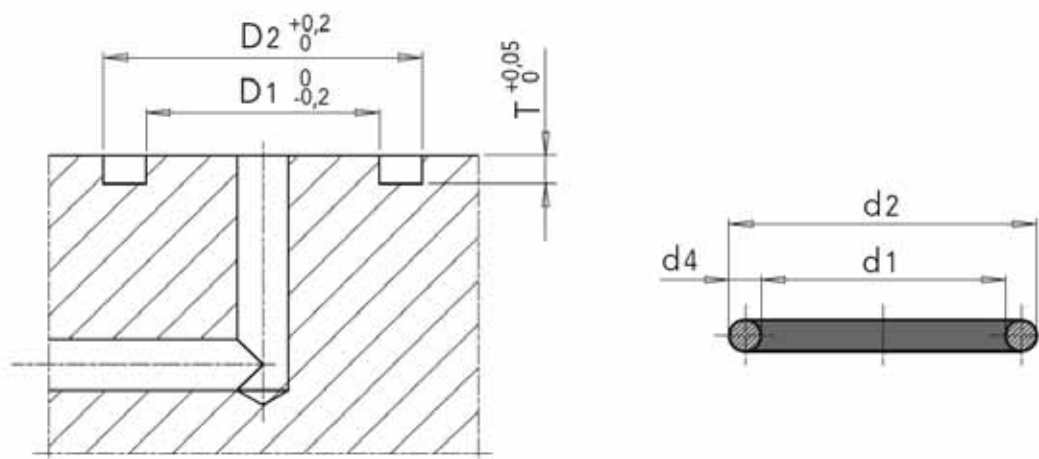
d1	t1 Maximum
<5	670mm
<6	670mm
<8	670mm
<10	1070mm
<12	1070mm
<19	1070mm

Available Drill Diameters / Lengths

Diam.	Length	Max. Depth
4	1000	670
5	1000	670
6	1000	670
6.35	1000	670
6.8	980	650
7.05	1000	670
8	1000	670
8.05	1000	670
8.5	1000	670
8.8	1000	670
9.05	1000	670
10	1400	1070
10.5	1000	670
11	1000	670
11.8	1000	670
12	1400	1070
12.5	1000	670
12.8	1000	670
13	1400	1070
13.5	1000	670
14	1000	670
16	1400	1070
16.5	1000	670
17	1000	670
17.5	1000	670
18	1000	670
19	1400	1070
20	1000	670
22	1000	670
24	1000	670

Standard Counter Bores for Gun Drill Holes

Drill Diameter d1	M	d2	Depth
Ø6-Ø8	G1/8"	20	13.5
Ø8-Ø10	G1/4"	23	15
Ø10-Ø12	G1/4"	26	18
Ø12-Ø16	G3/8"	32	22
Ø16-Ø24	G1/2"	39	26



Available Drill Diameters / Lengths

D2	D1	T	d1	d2	d4
11.0	7.0	1.2	7.5	10.5	1.5
12.5	7.5	1.2	8.0	11.0	1.5
15.5	9.3	1.2	9.8	12.8	1.5
15.5	9.3	1.6	10.0	14.0	2.0
15.5	9.3	1.9	10.0	14.8	2.4
17.3	11.0	1.9	11.8	16.6	2.4
17.3	11.0	1.6	12.0	16.0	2.4
19.5	13.2	1.9	13.9	18.7	2.0
20.8	14.5	1.9	15.3	20.1	2.4
23.0	16.8	1.9	17.5	22.3	2.4
24.8	18.5	1.9	19.3	24.1	2.4
26.8	20.5	1.9	21.3	26.1	2.4
28.8	22.5	1.9	23.3	28.1	2.4
30.8	24.5	1.9	25.3	30.1	2.4
32.8	26.5	1.9	27.3	32.1	2.4
35.0	27.0	2.4	28.0	34.0	3.0
37.0	29.3	2.4	30.2	36.2	3.0
39.0	31.3	2.4	32.2	38.2	3.0
41.0	33.3	2.4	34.2	40.2	3.0
41.0	33.3	2.0	35.0	40.0	2.5
43.0	35.0	1.6	36.0	40.0	2.0
43.0	35.0	2.4	36.0	42.0	3.0